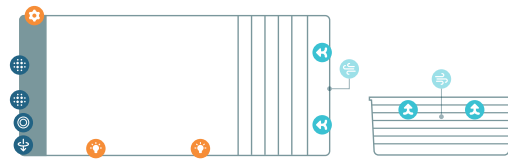
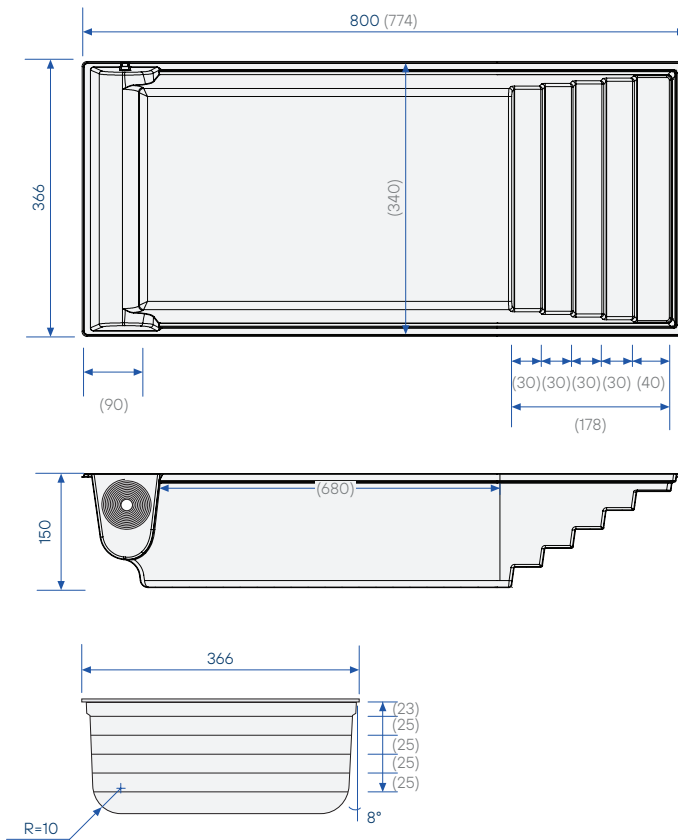


Commercial sizes	8,00 x 3,66 x 1,50m
Cover pit	Integrated, 90 cm
Water level	1,47 m
Weight incl. cover system	975 kg
Water volume	29 m³
Crane ¹	13 tonnes

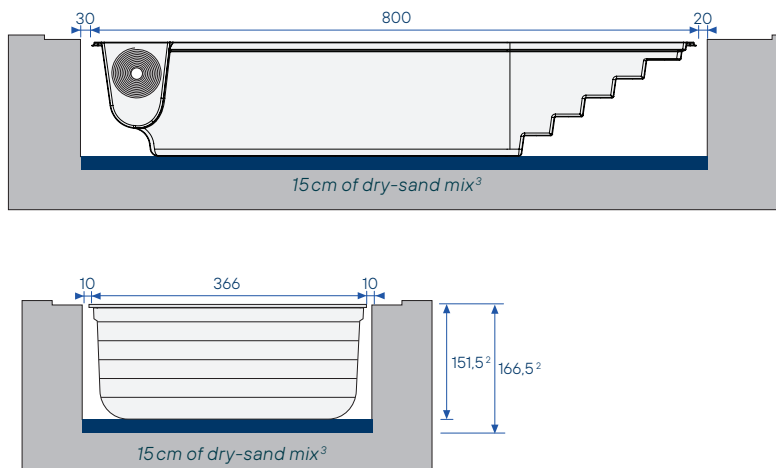


- Standard lights**
can be placed on opposite side
- Cover motor**
- Built-in skimmer**
- Suction connection**
Drain
always on the same side as the spots
- Inlet**
Counter-current system (no turbine) (optional)

External (Internal) dimensions in cm – tolerance ± 2%



Digging sizes in cm – tolerance ± 2%



Note: the digging sizes do not take into account the necessary space for the coping stones.

¹ Needed for unloading & placing the pool. ² Depth taken from under the coping stone. ³ Mix of sand and cement, at a ratio of 250 kg per ton.