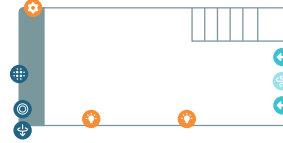
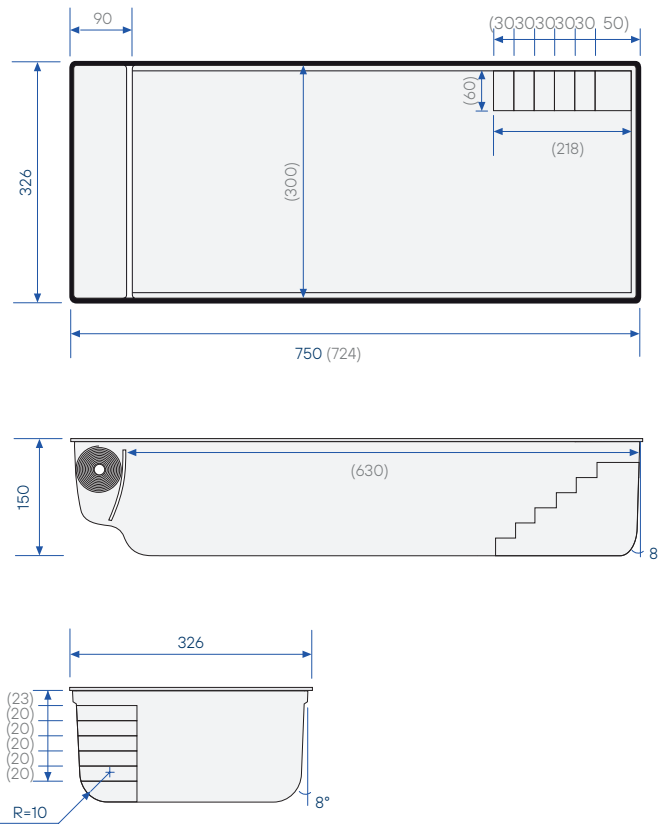


Commercial sizes	7,50 x 3,26 x 1,50m
Cover pit	Integrated, 90 cm
Water level	1,47 m
Weight incl. cover system	850 kg
Water volume	28 m³
Crane ¹	13 tonnes

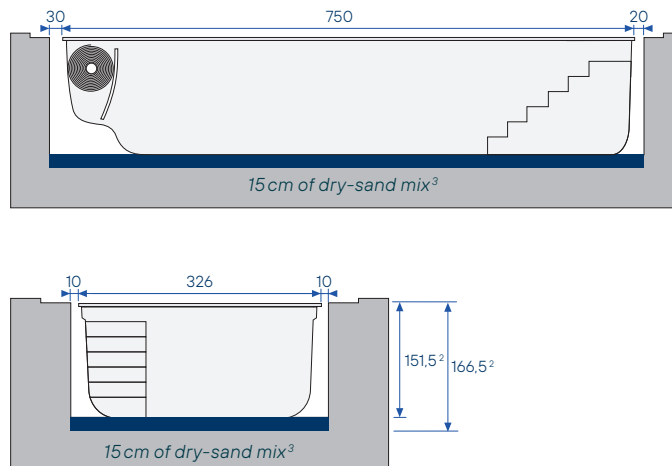


- Standard lights**
can be placed on opposite side
- Cover motor**
- Built-in skimmer**
- Suction connection**
- Drain**
always on the same side as the spots
- Inlet**
- Counter-current system (optional)

External (internal) dimensions in cm – tolerance ± 2%



Digging sizes in cm – tolerance ± 2%



Note: the digging sizes do not take into account the necessary space for the coping stones.

¹ Needed for unloading & placing the pool. ² Depth taken from under the coping stone. ³ Mix of sand and cement, at a ratio of 250 kg per ton.